

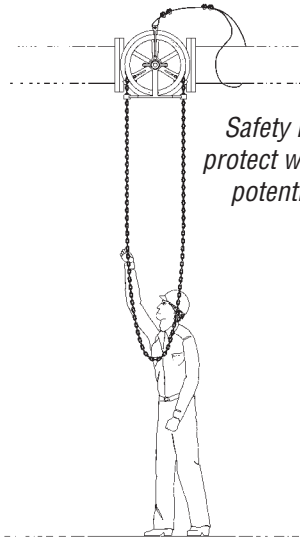
# **SECONDARY SAFETY RESTRAINT SYSTEM**

***Prevents Serious Injury in the Event of Chainwheel Falling***

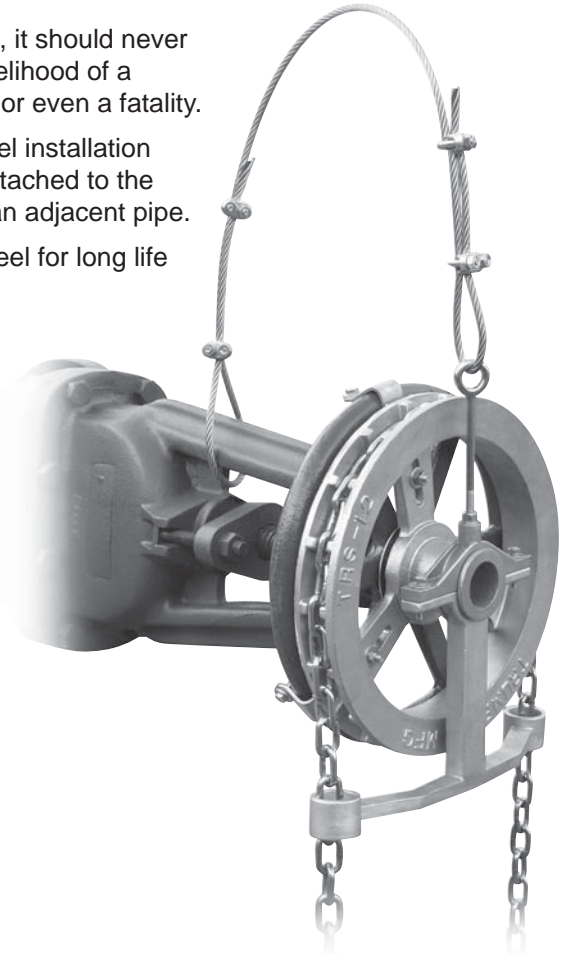
If a Chainwheel is properly installed, maintained and inspected, it should never separate from the valve and fall to the ground. Although the likelihood of a Chainwheel falling is small, the result could be a serious injury or even a fatality.

Safety Cable Kits can be economically added to the Chainwheel installation or retrofitted to an existing Trumbull Chainwheel. One end is attached to the Chainwheel and the other to a permanent part of the valve or an adjacent pipe.

Cable, clips and eyebolts are made from Type 316 stainless steel for long life in even the most corrosive environments.



*Safety Restraints  
protect workers from  
potential injury!*



**Item No.**

367-1975

**Product Description**

Safety Cable Kit, Less Eyebolt\*

**Weight**

1.25 lbs.